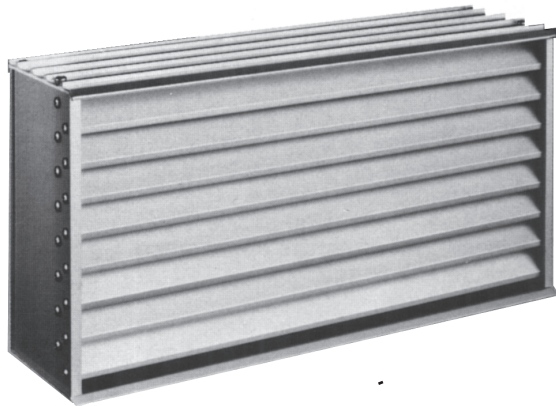




# RUSKIN®

## Model BV Brick Vents Optional Accessories (cont.)

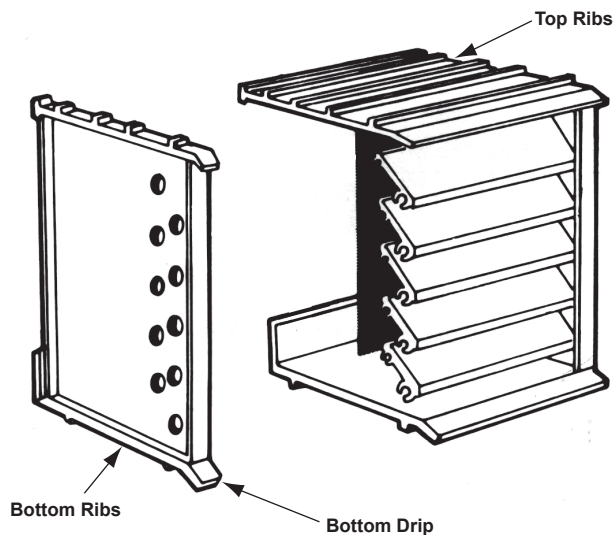


### Model BV

- All aluminum construction
- Minimum .125" Thickness
- Overlapping blades
- Clear Anodized finish standard
- Mesh aluminum insect screen
- 4" deep

### Sizing

- Units are fabricated to exact dimensions shown.
- Mortar ribs: Add 1/4" to nominal height listed.



### LIST PRICES

Vent Model	Width (inches)	Height (inches)	Brick Vent List Price
BV808	8 1/8	7 3/4	<b>\$130.00</b>
BV128	12	7 3/4	<b>\$130.00</b>
BV157	16 1/2	7 3/4	<b>\$160.00</b>
BV164	16 1/2	4 3/4	<b>\$140.00</b>