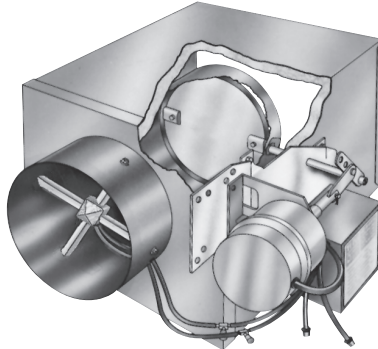


TITUS®



Features:

PESV Pneumatic
Utilizes TITUS I Controller & P1 Actuator

TITUS I factory preset for:

- Direct Acting-Normally Open

Optional Titus II Controller may be field set for the following sequences:

- Direct acting, either normally open or normally closed
- Reverse acting, either normally open or normally closed

DES - Digital

Bare box, field mounted controls by others

EcoShield eliminates outgassing or Volatile Organic Compound (VOC) concerns and includes an EPA registered anti-microbial (biocide) mold and fungal inhibitor ensuring the facing is safe for you and the environment.

EcoShield liner is an environmentally friendly, thermally bonded, high density, acoustic/thermal- insulation designed for HVAC systems.

EcoShield is a natural fiber liner comprised of recycled denim that does not itch or irritate the skin and

ESV Single Duct VAV Terminal With EcoShield Liner

Control Types:

PESV — Pneumatic Titus I or Titus II Controller

DES - Digital Electronic

(Bare box, controls to be furnished and mounted in the field)

Recommended Primary Air cfm Ranges — All Terminals

Inlet Size	Total cfm Range	cfm Ranges of Minimum and Maximum Settings					
		PESV - Pneumatic TITUS II Controller		PESV - Pneumatic Titus I Controller		DES - Digital Electronic	
		Minimum	Maximum	Minimum	Maximum	Minimum	Maximum
6	0-500	80*-330	150-500	105*-330	180-500	80*-500	80-500
8	0-900	145*-590	265-900	190*-590	265-900	145*-900	145-900
10	0-1400	230*-925	415-1400	300*-925	415-1400	230*-1400	230-1400
12	0-2000	325*-1330	600-2000	425*-1530	600-2000	325*-2000	325-2000
14	0-3000	450*-1800	810-3000	575*-1800	810-3000	450*-3000	450-3000
16	0-4000	580*-2350	1100-4000	750*-2350	110-4000	580*-4000	580-4000

* CFM settings (except zero) should not be made below this range because control accuracy is reduced.

LIST PRICES

Inlet Size	cfm Range	* cfm @ NC 30	DES	PESV I	PESV II	2 Row Coil
			List Price Valve only	List Price with Titus I Controller	List Price with Titus II Controller	List Price Hot Water Reheat Coil
6	0-500	400	\$190.00	\$331.00	\$435.00	\$110.00
8	0-900	550	\$200.00	\$349.00	\$465.00	\$140.00
10	0-1400	1100	\$220.00	\$360.00	\$478.00	\$190.00
12	0-2000	1200	\$240.00	\$380.00	\$490.00	\$270.00
14	0-3000	2700	\$270.00	\$429.00	\$546.00	\$340.00
16	0-4000	3200	\$313.00	\$447.00	\$583.00	\$423.00

* Discharge NC Value based on 2.0" Inlet Pressure.

All sound data based upon tests conducted in accordance with ARI 880-98.

For Acoustic Performance Data see pages VAV-4.0.

For Dimensional Data see page VAV-5.0.

For Hot Water Coil Performance Data see pages VAV-6.0 and VAV-7.0.