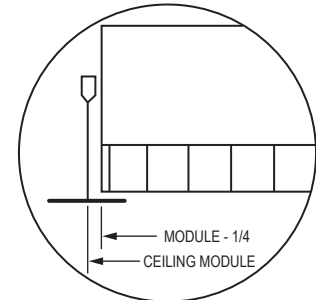
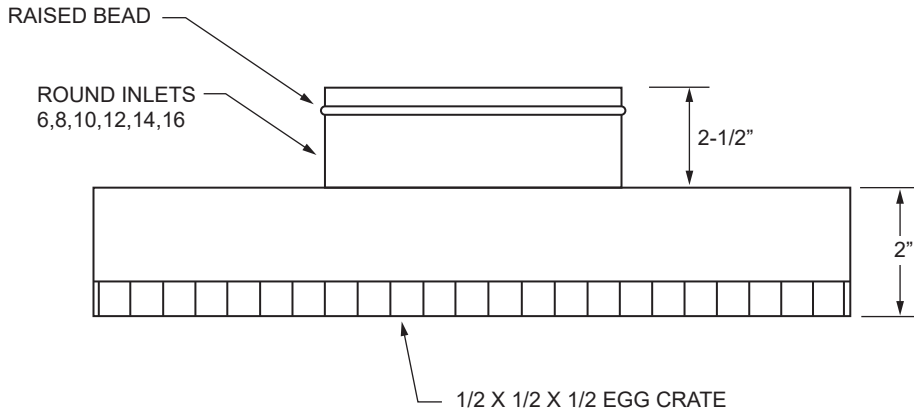


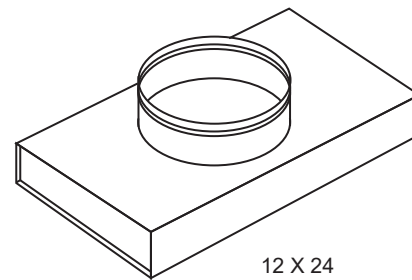
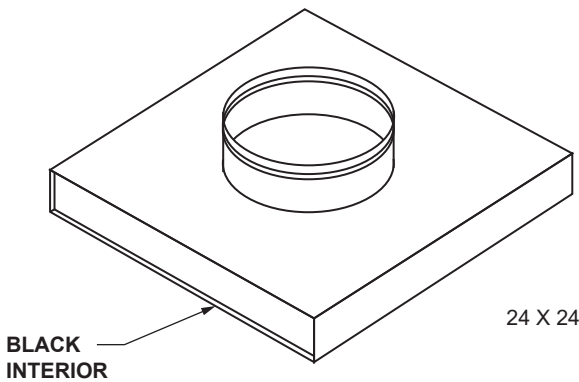
# Model ECRD Eggcrate Lay-In Return w/Integral Plenum

**FEATURES:**

- One piece grille and plenum assembly ready for lay-in installation
- Egg crate face is aluminum with white finish.
- Plenum is 24 gauge steel with black interior.
- Top round duct collars are 2-1/2" deep with bead for secure duct connection.



STANDARD TEE BAR GRID LAY-IN



<b>LIST PRICES</b>		
Panel Size	Neck Size	List Price
24 x 12 Lay-in	6",8",10"	<b>\$57.00</b>
24 x 24 Lay-in	10",12",14",16"	<b>\$85.00</b>

See Page GRD-14.0 for TRM Surface Mounting Frame Details

**24 x 24 TRM Frame = \$40.00 List**  
**24 x 12 TRM Frame = \$36.00 List**