



VA Draw Amps
 ■ 120V - 12.0 ■ 120V - 0.10

DR Series Specifications and Clearances

Normal Manifold Pressure

- Natural Gas - 6" W.C.
- Propane Gas - 10" W.C.

Minimum Heater Inlet Pressure

- Natural Gas - 7" W.C.
- Propane Gas - 11" W.C.

Maximum Inlet Pressure

- 1/2 lb. or 14" W.C.

Mounting Angle

- 20° to 35° from horizontal
- Optional - Horizontal to 15° (specify)

Inlet Pipe Size

- 1/2" NPT

Mounting Hole Diameter

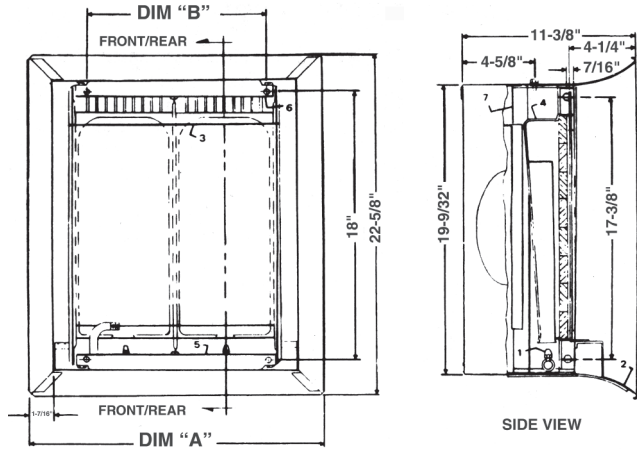
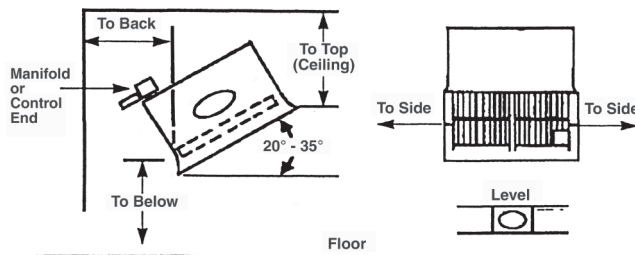
- 5/16"

Control	Control Voltage	Control Descriptions
NFS-2	120V	Direct Spark Ignition, 100% Shutoff

Note: 120V model includes potted circuitry board for use in high moisture applications

Clearances to Combustibles (inches)

Model No.	Sides	Back	Top	Below
DR 60	32	18	46	72
DR 100	48	30	52	120
DR 160	50	32	60	132



⚠ WARNING
 Failure to comply with the stated clearance to combustibles could result in personal injury, death, and/or property damage.

⚠ WARNING
 This heater should be installed so that the minimum clearances to vehicles, as marked on the heater, will be maintained. If vehicle lifts are present, ensure that these clearances will be maintained from the highest raised vehicle.

Model	Dim "A"	Dim "B"
DR 60	18-7/8"	11-1/2"
DR 100	25-3/8"	18"
DR 160	38-1/2"	27-1/2"

Call IES for Re-Verber-Ray parts in our extensive inventory