



Downblast Centrifugal Exhaust Ventilator Roof Mounted Direct Drive

- Description - Fan shall be a spun aluminum, roof mounted, direct driven, downblast centrifugal exhaust ventilator.
- Certifications - Fan shall be manufactured at an ISO 9001 certified facility. Fan shall be listed by Underwriters Laboratories (UL 705) and UL listed for Canada (cUL 705). Fan shall bear the AMCA Certified Ratings Seal for Sound and Air Performance.
- Construction - Fan shall be of bolted and welded construction utilizing corrosion resistant fasteners. The spun aluminum structural components shall be constructed of minimum 16 gauge marine alloy aluminum, bolted to a rigid aluminum support structure. The aluminum base shall have continuously welded curb cap corners for maximum leak protection. The discharge baffle shall have a rolled bead for added strength. An integral conduit chase shall be provided through the curb cap and into the motor compartment to facilitate wiring connections. The motor shall be enclosed in a weather-tight compartment, separated from the exhaust airstream. Unit shall bear an engraved aluminum nameplate. Nameplate shall indicate design CFM and static pressure. Unit shall be shipped in ISTA Certified Transit Tested Packaging.
- Wheel - Wheel shall be centrifugal backward inclined, constructed of 100 percent aluminum, including a precision machined cast aluminum hub. An aerodynamic aluminum inlet cone shall be provided for maximum performance and efficiency. Wheel shall be balanced in accordance with AMCA Standard 204-96, Balance Quality and Vibration Levels for Fans.
- Motor - Motor shall be heavy duty type with permanently lubricated sealed ball bearings and furnished at the specified voltage, phase and enclosure.

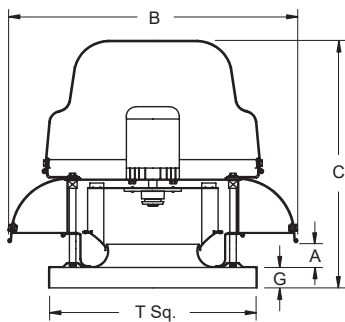


Loren Cook Company certifies that the ACED shown herein is licensed to bear the AMCA Seal. The ratings shown are based on tests and procedures performed in accordance with AMCA Publication 211 and AMCA Publication 311 and comply with the requirements of the AMCA Certified Ratings Program.

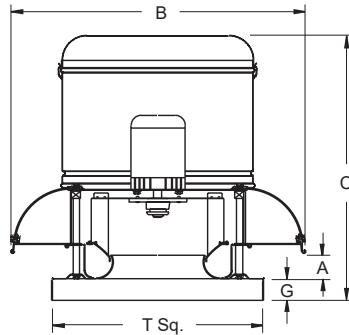


Type ACED is furnished standard with UL 705 and cUL 705 listings (Power Ventilator/ZACT).

Sizes 90 - 100



Sizes 120 - 135



ACED Dimension Data

Size	A	B	C	G	T Sq.	Roof Opening Square*	Ship. Wt.
90	2-1/2	18-3/4	16-13/16	2	18	13-1/2	28
100	2-1/2	18-3/4	16-13/16	2	18	13-1/2	30
120	1-7/16	28-7/16	26-9/16	2	20	15-1/2	67
135	1-15/16	28-7/16	27-1/16	2	20	15-1/2	72

All dimensions in inches. *Roof opening size for curbs supplied by Loren Cook Co. only. Weights in pounds.

ACED 90-135 DIRECT DRIVE PERFORMANCE DATA

Model Number	Motor HP	Fan RPM	Tip Speed	Sones @ .25 SP	CFM @ .125 SP	CFM @ .25 SP	CFM @ .375 SP	CFM @ .50 SP	CFM @ .625 SP	CFM @ .75 SP	CFM @ .875 SP	CFM @ 1.00 SP	FAN LIST PRICE	BACKDRAFT DAMPER LIST PRICE	12" HIGH ROOF CURB LIST PRICE
90C10DL		1125	2655	4.4	262**	191							\$490.00	\$76.00	\$150.00
90C10DM	1/25	1100	2696	5.0	328**	241							\$490.00	\$76.00	\$150.00
90C10DH		1050	2478	4.7	416	231							\$490.00	\$76.00	\$150.00
100C15DL		1665	4362	10.9	545**	505**	467**	427**	377**	321**	254**	164**	\$504.00	\$76.00	\$150.00
100C15DM	1/8	1625	4258	10.8	658**	605**	554**	498**	432**	370**	292**	168**	\$504.00	\$76.00	\$150.00
100C15DH		1550	4061	10.8	856	766	667	553	444	384	265		\$504.00	\$76.00	\$150.00
120C10D	1/6	1075	3376	6.0	1058**	958**	855**						\$790.00	\$80.00	\$160.00
120C11DH		1140	3581	7.3	1133	1040	946	807	807				\$790.00	\$80.00	\$160.00
135C13D	1/2*	1300	4595	12.2	1897	1808	1715	1622	1530	1414	1194		\$998.00	\$80.00	\$160.00
135C15DH		1550	5478	15.8	2292	2219	2144	2066	1987	1910	1833	1744	\$998.00	\$80.00	\$160.00

Performance certified is for Installation Type A: free inlet, free outlet. Performance ratings do not include the effects of appurtenances (accessories) in the airstream. Speed(RPM) shown for models 70 - 100 and 165 is nominal. Performance is based on actual speed of test. Speed (RPM) for all other models is constant and based on actual speed of test. The sound ratings shown are loudness values in fan sones at 5 ft. (1.5m) in a hemispherical free field calculated per AMCA Standard 301. Values shown are for Installation Type A: free inlet fan some levels. *Motor is a 2-speed 1300/1550 RPM motor. **CFM can be achieved by adding an FSC control. **See Page R7.0 for FSC List Price**