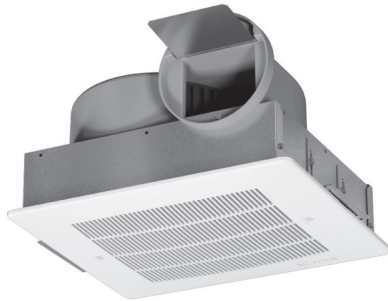




# GC 126-188



## Features

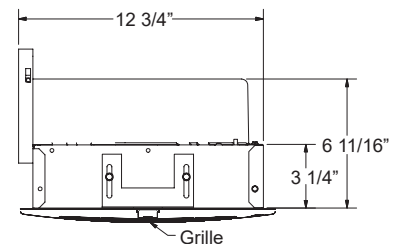
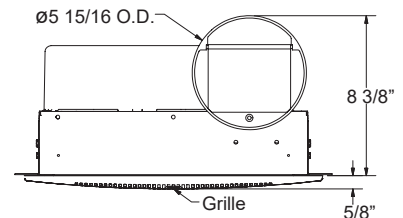
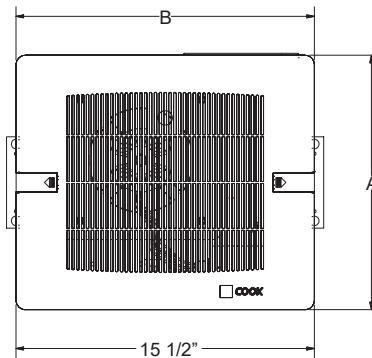
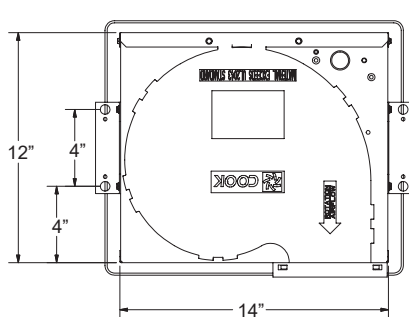


- Manufactured by an ISO 9001 certified company
- AMCA certified ratings seal for sound and air performance
- Listed by Underwriters Laboratories UL 705
- Permanently Lubricated ODB, 2-speed motor with thermal overload protection
- Forward curved polypropylene wheel balance to AMCA Standard 204-05
- High impact styrene grille
- Simple conversion from ceiling to inline with kit # 797181
- Optional fan speed controller available for precise system balancing
- Standard 115/1/60 fan motors

## Performance Data

Model GC	Max. Watts	RPM	HVI Sones†	0.0 SP		.100 SP		.125 SP		.250 SP		.375 SP		.500 SP		.625 SP		.750 SP		List Prices
				CFM	Sones	CFM	Sones	CFM	Sones	CFM	Sones	CFM	Sones	CFM	Sones	CFM	Sones	CFM	Sones	
GC-126	50	800	0.7	60	1.0	59	1.1	58	1.1	56	1.3	53	2.0	49	2.7	42	3.5	28	4.4	\$160.00
GC-128	64	900	1.1	81	1.5	80	1.6	79	1.6	77	1.7	73	2.1	67	2.7	59	3.3	49	4.2	
GC-146	59	1000	1.1	111	1.6	97	1.7	94	1.7	84	1.9	76	2.2	68	2.7	60	3.4	48	4.5	\$185.00
GC-148	98	1100	2.0	139	2.8	133	2.9	131	2.9	124	3.0	117	3.2	108	3.4	97	3.7	84	4.2	
GC-166	103	1200	2.5	154	3.3	151	3.4	150	3.4	145	3.6	140	3.7	131	3.8	117	4.0	105	4.1	\$198.00
GC-168	145	1300	4.0	190	4.9	186	4.8	185	4.8	180	4.7	174	4.7	166	4.7	148	4.7	131	4.7	
GC-186	185	1400	5.5	232	6.9	227	6.9	226	6.8	219	6.8	212	6.7	203	6.6	189	6.5	173	6.4	\$270.00
GC-188	220	1500	6.0	262	7.7	255	7.6	253	7.5	244	7.4	234	7.2	222	7.1	207	6.9	189	6.6	

Performance shown is for Installation Type B: Free inlet, ducted outlet. Performance ratings for GC-126 through GC-188 include the effects of inlet grille in the airstream. Speed (RPM) shown is nominal. Performance is based on actual speed of the test. The sound ratings shown are loudness values in hemispherical sones at 5 ft. (1.5m) in a hemispherical free field calculated per AMCA Standard 301. Values shown are for Installation Type B: Free inlet hemispherical sone levels. †HVI sones @ .1" static pressure. AMCA Certified Ratings Seal does not apply to HVI Sones.



## Dimension Data

Grille Material	A	B
Plastic	13-1/4	15-1/2

All dimensions in inches.

Unit Size	Approx. Ship-Wt. Lbs.
126/128	13
146/148	15
166/168	15
186/188	16

## Ceiling to Inline Conversion Kit

The Gemini 100 series can be field converted from ceiling to inline by following these steps:

1. Remove and discard the inlet box end plate.
2. Install the inline cover panel with sheet metal screws as shown on the following page.

Ceiling to Inline Conversion Kit (Part Number 797181).

**List Price \$51.00**

See pages C-5.0, C-6.0 & C-7.0 for accessories.

