

RUSKIN®

Model FDR25

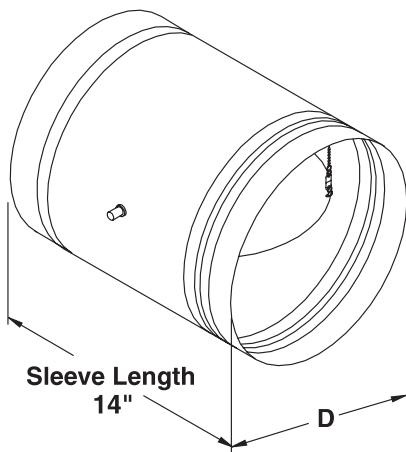
Round Fire Dampers

1 1/2 Hour Rating • 165°F Fusible Link

U.L. Listed for use in Dynamic and Static Systems

Integral Labor-Saving 14" Long Sleeve

IN STOCK AT IES



Standard Construction

UL555 Dynamic Rating

Vertical or Horizontal mount up to 18" in diameter.

Maximum 4000 fpm at 4 in. w.g.

UL555 Fire Rating

1 1/2 hour UL classified fire damper.

Frame

20 gauge galvanized steel, with a standard 14" integral sleeve and retaining cinch plates.

Blade

Single skin galvanized steel, 14 gauge thickness.

Axle

1/2" diameter.

Bearings

Stainless steel sleeve, pressed into frame.

Fuse Link

165°F is standard. 212°F available.

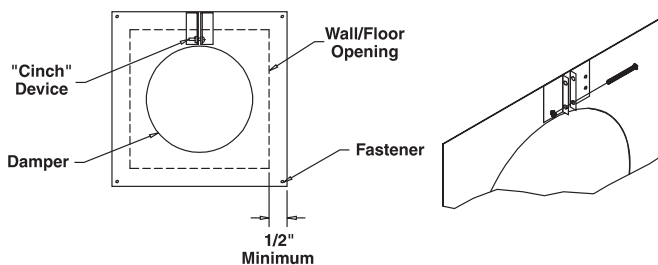
Mounting

Vertical or horizontal.

Finish

Mill galvanized.

RETAINING "CINCH" PLATES PROVIDED WITH FDR25



LIST PRICES	
Size (D)	List Price
6" ø	\$94.00
8" ø	\$106.00
10" ø	\$115.00
12" ø	\$124.00
14" ø	\$135.00
16" ø	\$146.00
18" ø	\$168.00

Make wall opening a minimum of 1" to a maximum of 2 1/2" larger than nominal damper size.