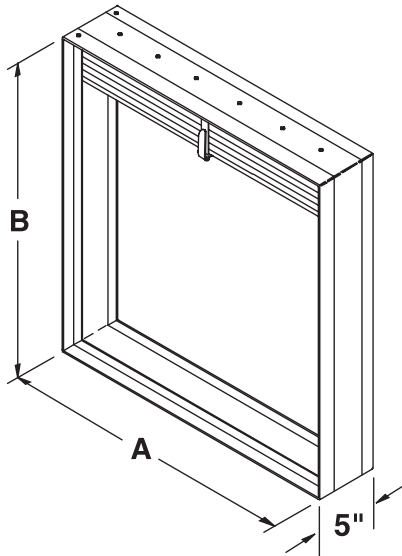


# **RUSKIN<sup>®</sup>**

## **Model IBD2A**

### **Curtain Type "A" Fire Dampers**

*1 1/2 Hour Rating • 165° F Fusible Link*  
*U.L. Listed for use in Static Systems Only*  
*Non-Sleeved Style • Standard Channel Frame*



**Standard Construction**

*UL555 Rating*  
*Model: IBD2A*

Meets all UL and NFPA criteria for primary fire dampers in static HVAC systems (fans off during alarm), in walls and floors with fire resistant ratings of less than 3 hours.

*UL555 Fire Rating*  
 1 1/2 hour UL classified fire damper.

*Frame*  
 4-7/8" x 20 gauge galvanized steel channel.

*Blades*  
 24 gauge galvanized curtain type. Blades within air stream.

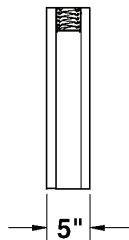
*Finish*  
 Mill.

*Closure Springs*  
 301 stainless steel constant force type.

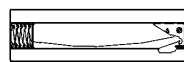
*Fusible Link*  
 165° F is standard. 212° F available – Advise if required.

*Mounting*  
 Vertical or Horizontal.

**VERTICAL MOUNT**



**HORIZONTAL MOUNT**



**Features:**

- Vertical and Horizontal closure spring operation for assured closure with no air flow (fans off) in HVAC systems.
- Each damper is marked with a 1 1/2 hour UL555 classified fire damper label.
- Meets UL and NFPA criteria for primary fire dampers installed in walls and floors with fire resistance ratings of less than 3 hours.
- Meets the requirements for the UBC, BOCA, SBCCI and associated building codes.

Multiple sizes IN STOCK at IES.  
 See following page for available  
 Sizes and List Pricing.