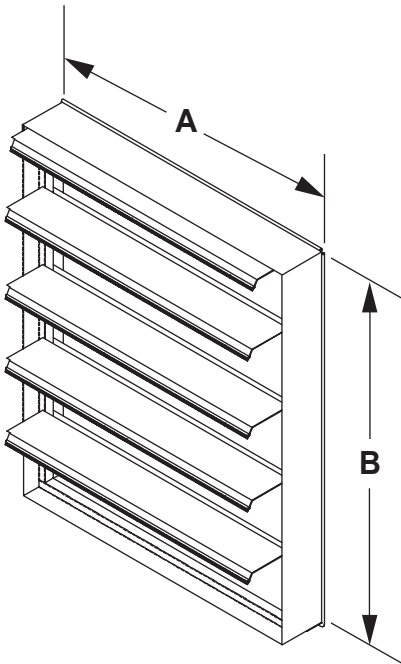


RUSKIN[®]

Model S3G

Galvanized Steel Backdraft Damper



Standard Construction Frame

20 gauge galvanized steel.

Blades

28 gauge galvanized steel.

Blade Seal

Extruded vinyl mechanically locked into blades.

Axles

Stainless steel.

Linkage

Stainless steel pins, galvanized steel tie bar.

Finish

Mill.

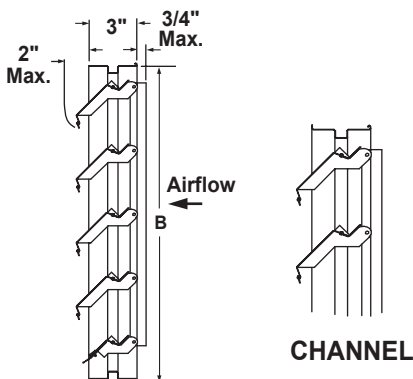
Temperature Limits

-40°F to +200°F

Maximum Face Velocity

3000 fpm. Widths over 36" up to 42" are limited to 1500 fpm.

The 48" x 48" damper is two-panel construction, so it is rated for 3000 fpm.



LIST PRICES

Size A x B	Damper List Price
8 x 8	\$64.00
10 x 10	\$78.00
12 x 12	\$83.00
16 x 12	\$91.00
16 x 16	\$102.00
20 x 20	\$140.00
24 x 12	\$105.00
24 x 16	\$116.00
24 x 24	\$164.00
30 x 30	\$200.00
36 x 24	\$190.00
36 x 36	\$280.00
48 x 24	\$272.00
48 x 36	\$388.00
48 x 48	\$544.00