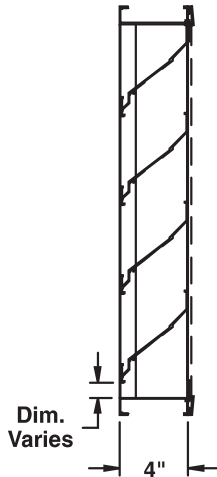


RUSKIN®

Model GFL800D – Drainable Blade Extruded Aluminum Louver



Standard Construction

Frame

4" deep, 6063T5 extruded aluminum with .080" nominal wall thickness. Box or integral flange frames are available with integral downspouts. Caulking surfaces provided on box frame.

Blades

6063T5 extruded aluminum with .063" nominal wall thickness. Drainable blades are positioned at a 45° angle and spaced approximately 5" center to center.

Screen

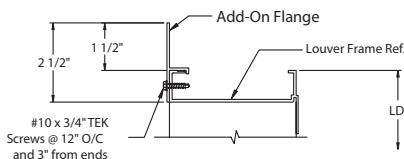
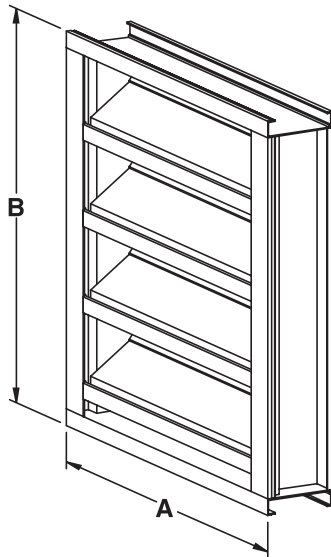
3/4" x .051" expanded, flattened aluminum bird screen in removable frame. Screen adds approximately 1/2" to louver depth.

Finish

Mill.

Optional Flange Kit

1 1/2" (See detail)



Optional Flange Kit

LIST PRICES			
Size A x B	Maximum CFM	Free Area (sq.ft.)	Louver List Price
12 x 12	119	0.17	\$119.00
16 x 12	161	0.23	\$145.00
16 x 16	378	0.54	\$163.00
20 x 20	595	0.85	\$190.00
24 x 12	266	0.38	\$160.00
24 x 16	595	0.85	\$179.00
24 x 24	1064	1.52	\$225.00
30 x 30	1862	2.66	\$360.00
36 x 24	1645	2.35	\$300.00
36 x 36	2884	4.12	\$420.00
48 x 24	2226	3.18	\$400.00
48 x 36	3906	5.58	\$550.00
48 x 48	5082	7.26	\$620.00

- Notes:
- Maximum CFM based upon 700 FPM airflow through free area.
 - Beginning point of water penetration at 0.01 oz./sq. ft. is 700 FPM.
 - Airside pressure drop is 0.11" W.C. at 700 FPM.
 - All Louvers are undersized by 1/4".